

MAX_V2

Security solution for smart pens



Battery version of security solution for smart pens of MAX_V2 adopts transparent acrylic display stand and stretchable coiled charging cable which can not only protect pens well but also offer better user-experience.

MAX851_V2-A

Features and Benefits

1. Transparent acrylic display stand highlights the features of smart pens
2. Alarm will be triggered once the charging cable is disconnected from controller
3. Alarm will be triggered once the bottom contact is released
4. Alarm will be triggered once the security contact is disconnected from pens
5. Lockable connector avoids accidental disconnection (optional)
6. Visible LED indicator, LED blinks in red when alarming
7. Stretchable coiled cable, offering better user-experience
8. All-metal surface provides better hands and visual experience
9. Alarm only, no charging ability

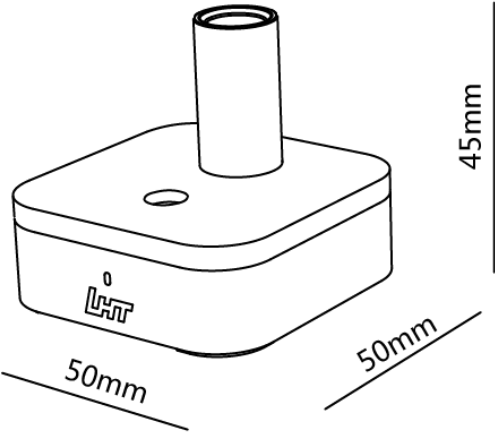


Applicaton Display



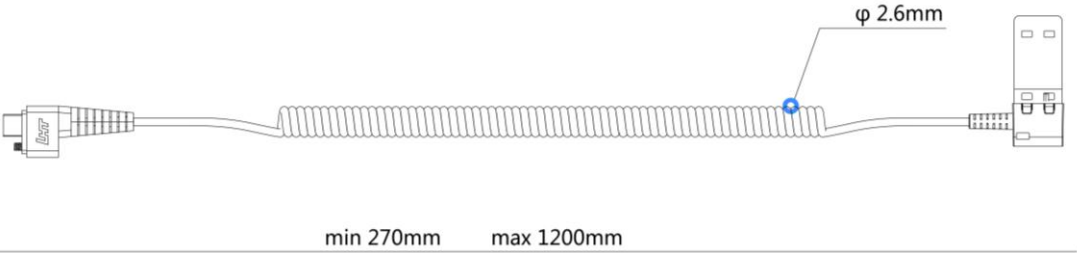
Specifications

◆ Security Display Stand



Vertical security display stand for pens
MAX851_V2-A

◆ Sensor



Cable sensor for pen
SEN651W-C120

Product Ordering

Security Display Stand

Model	Description	Color
MAX851S_V2-A	Vertical security display stand for pens	Silver

Cable Sensor

Model	Description	Color
SEN651W-C120	Coiled cable sensor	White

Accessories

Model	Description	Color
3M(MAX005)B	3M adhesive for base	Black
3M(SEN651)T	3M adhesive for pen security cable	Black

Tools

Model	Description	Color
TOL350L	Screwdriver	Blue
TOL360W	Adhesive Remover	White
KEY100BV2	Remote Control (charge version)	Black
ProKEY	Code Manager	Red